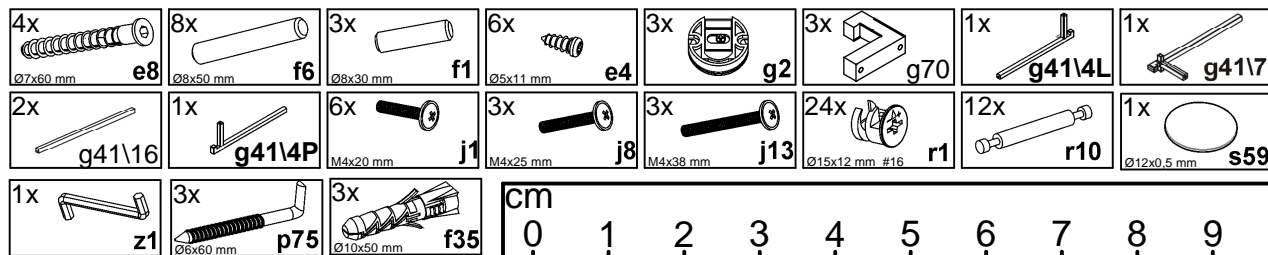
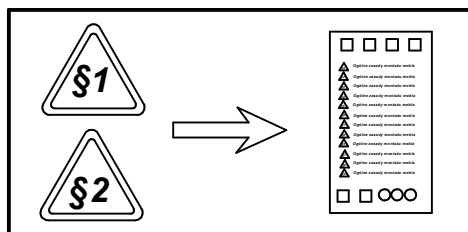
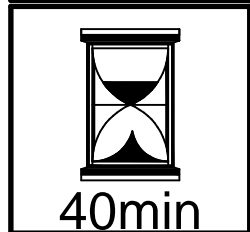
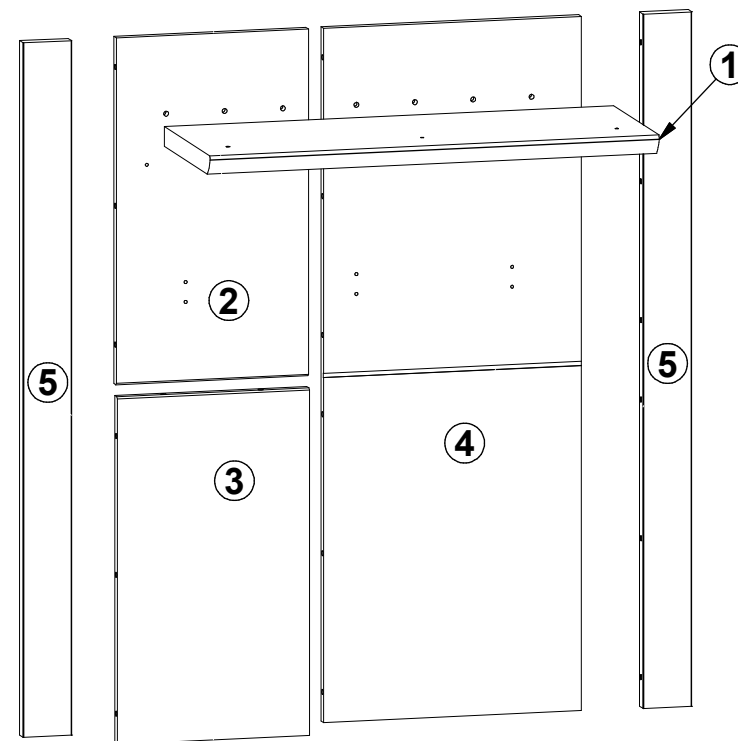
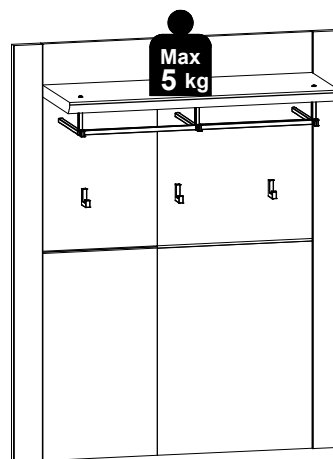
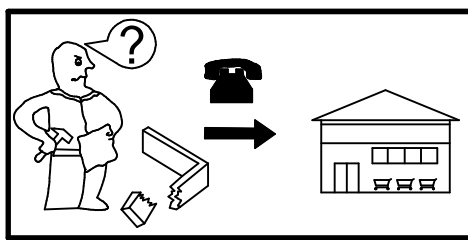
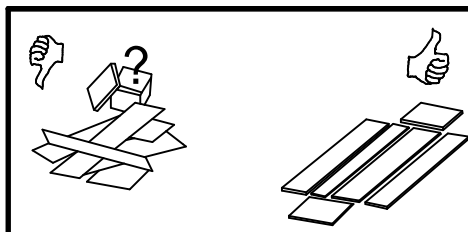
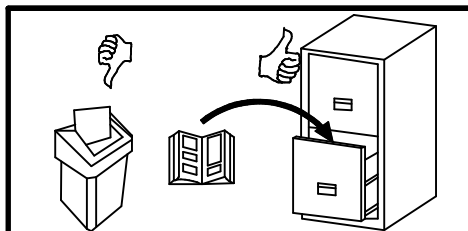
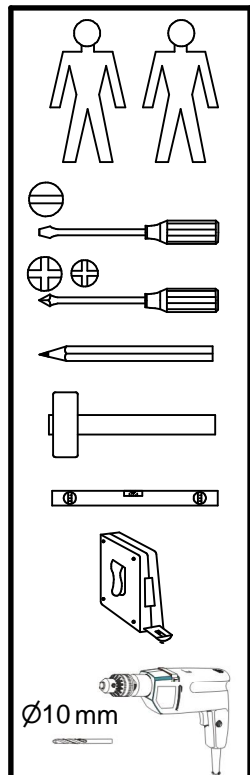
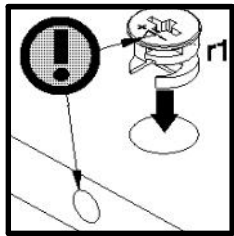
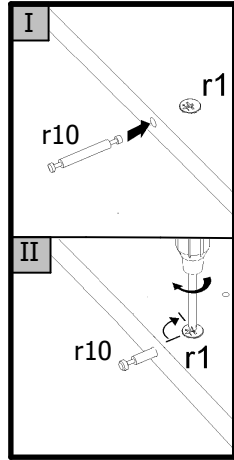
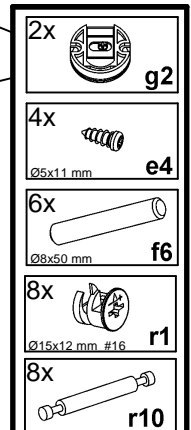
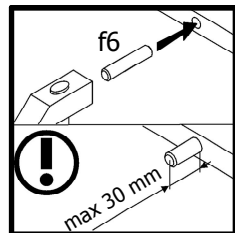
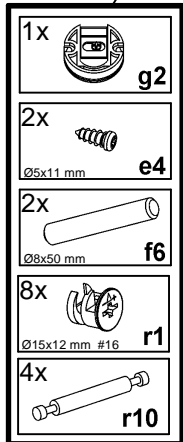
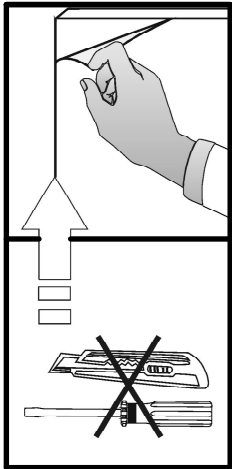
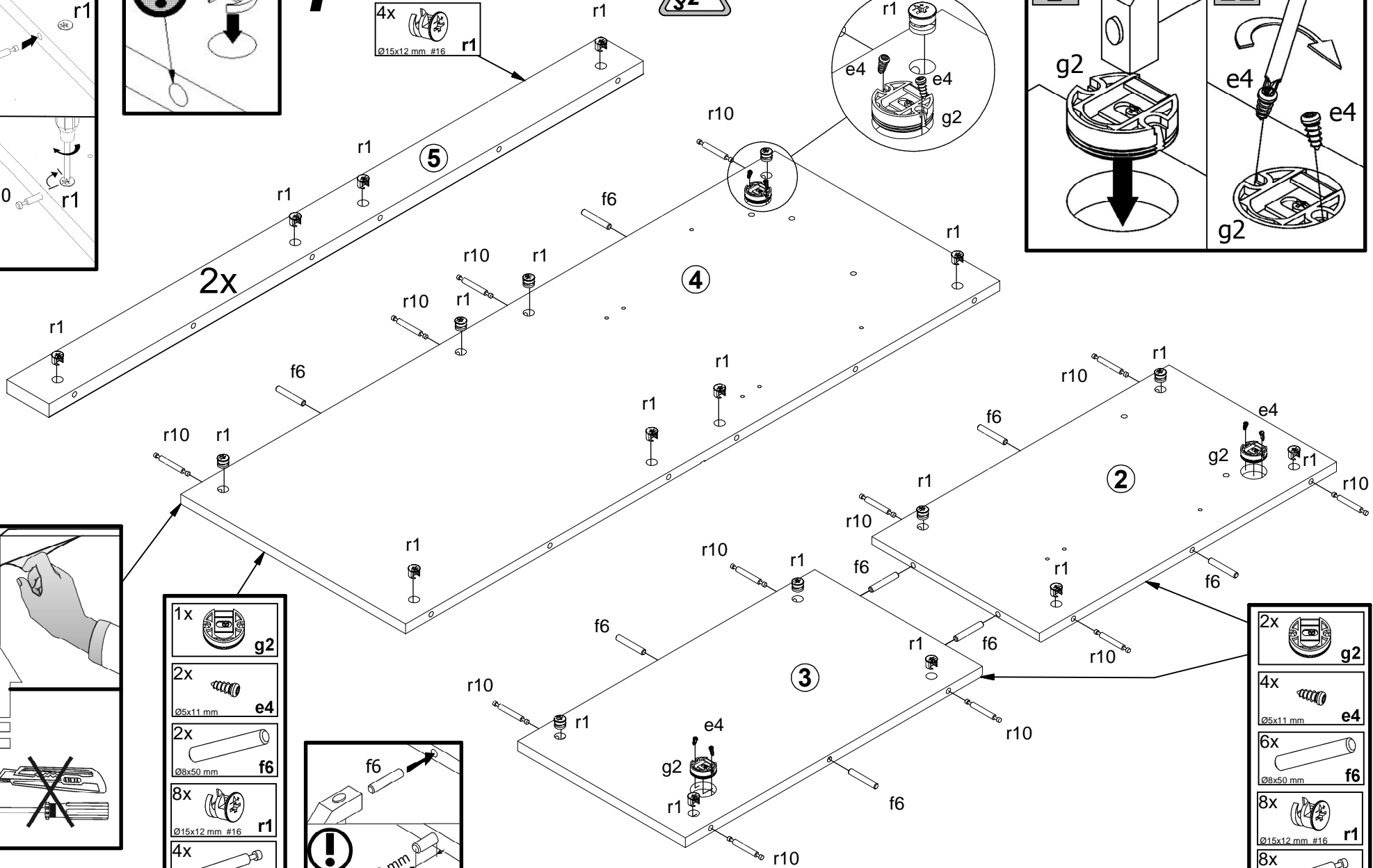
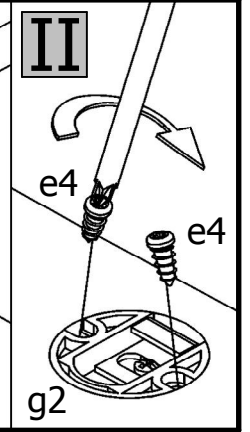
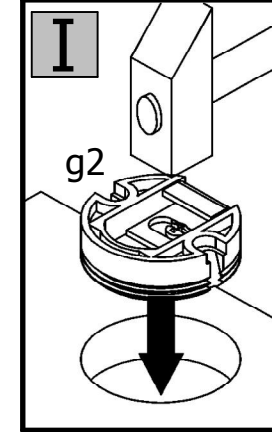
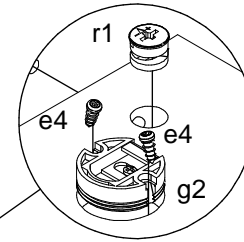
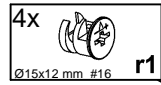


A	B	C1	C2	C3	D
1	M222-3009	739	280	32	1/1
2	M238-4301	560	316	16	1/1
3	M238-4302	560	316	16	1/1
4	M238-4303	1120	424	16	1/1
5	M238-5004	1120,	80	22,	1/1

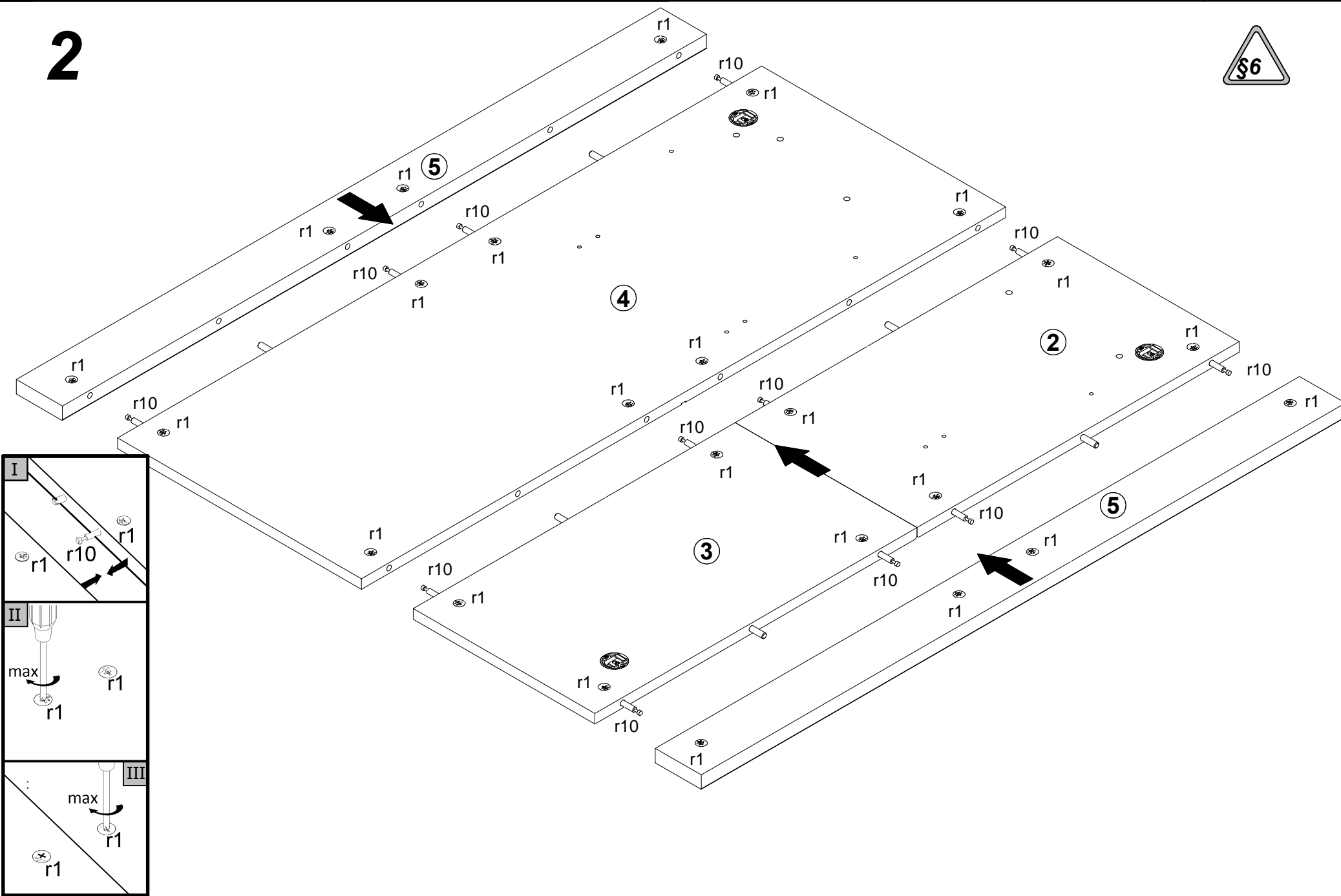




1

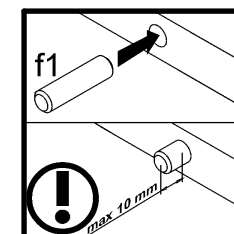
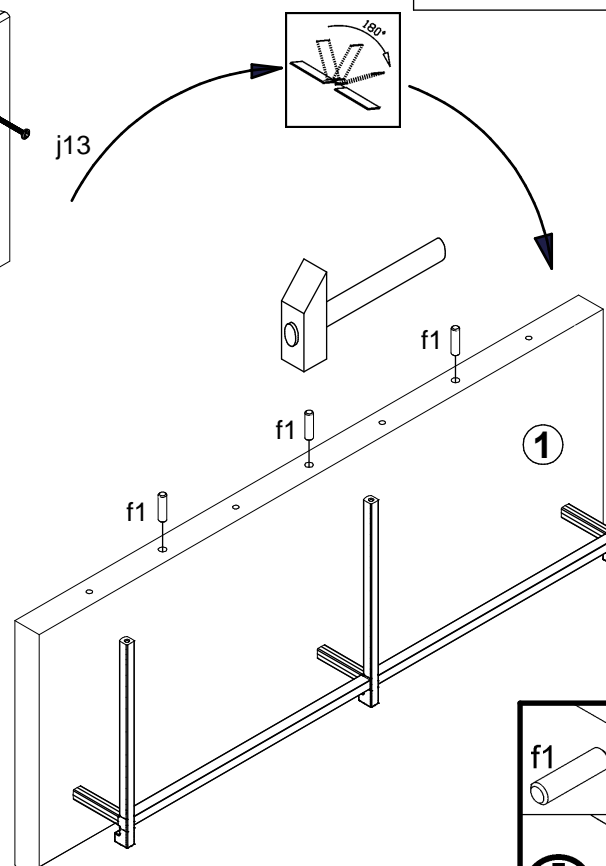
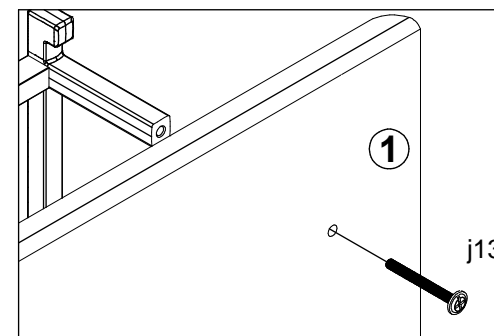
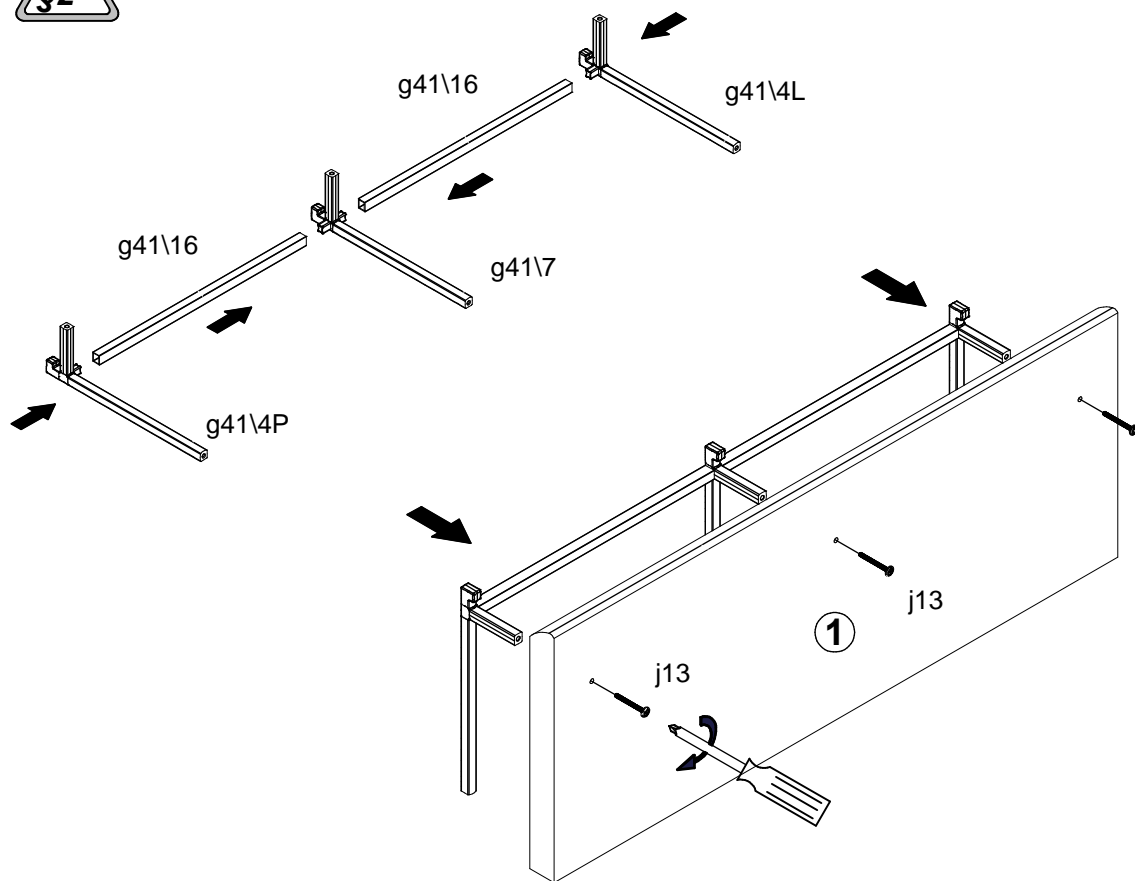


2





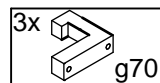
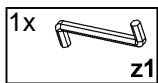
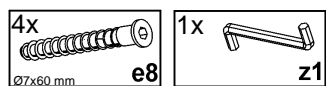
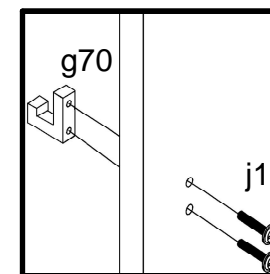
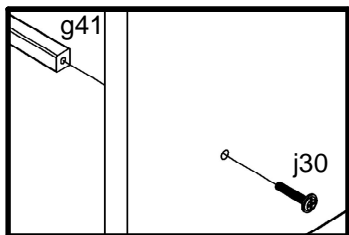
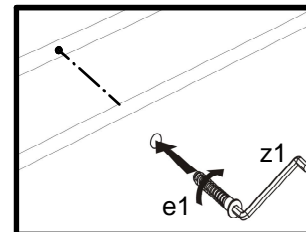
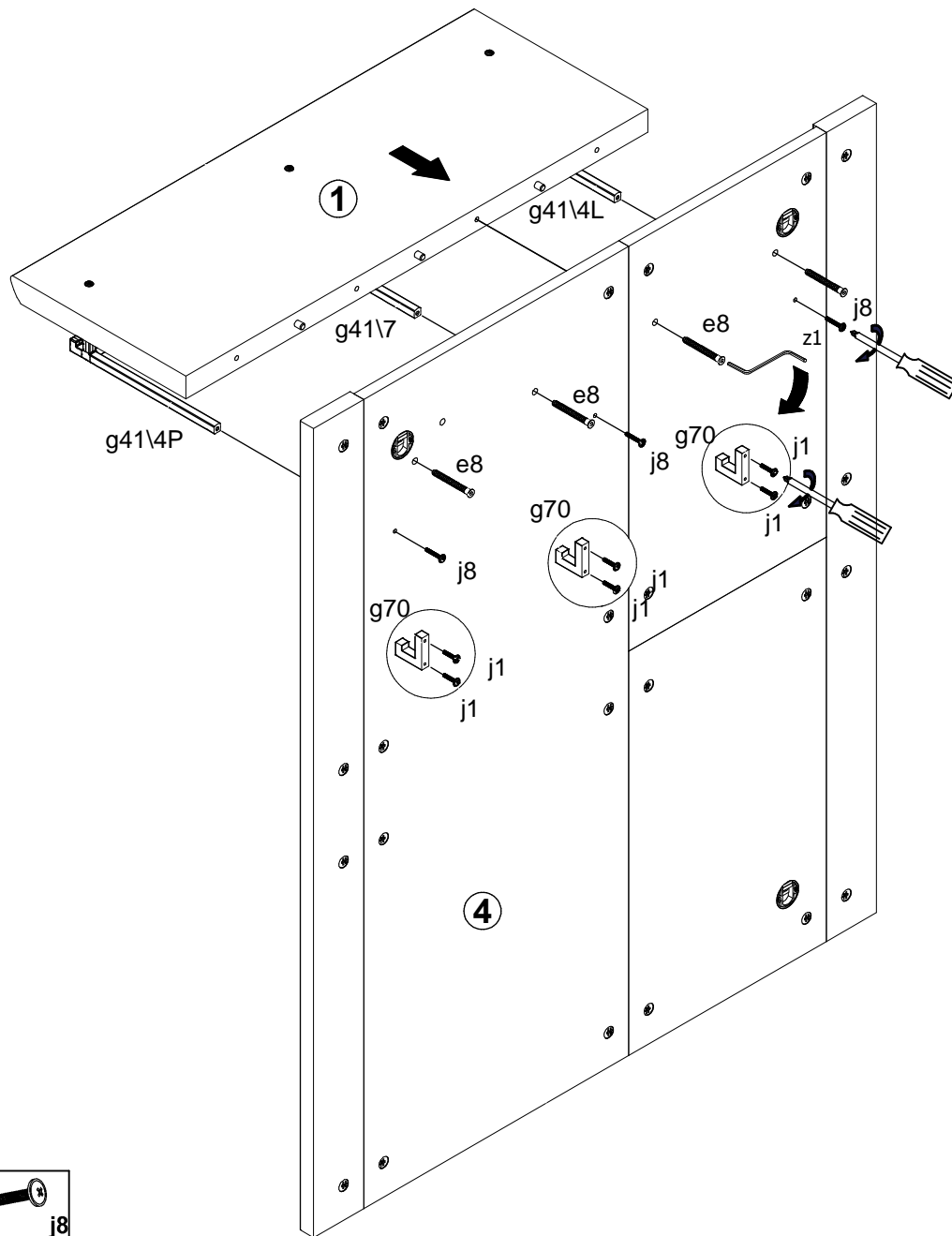
3

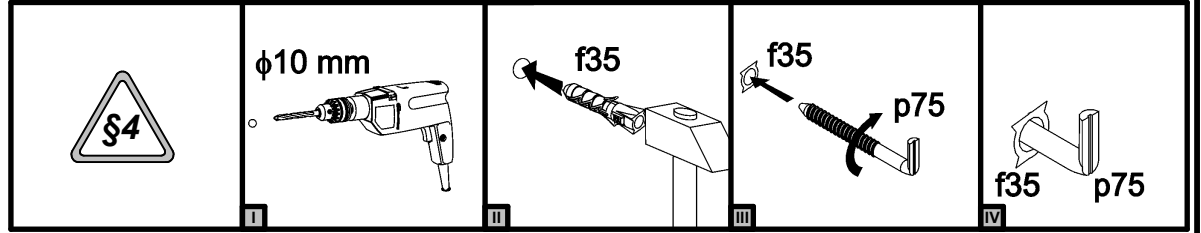
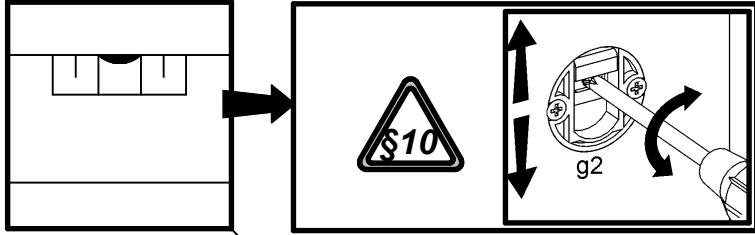


- | | | | | | |
|----------------------|--------------|--------------|-------------|--------------|-----------------------|
| 3x
Ø8x30 mm
f1 | 1x
g41\4L | 1x
g41\4P | 1x
g41\7 | 2x
g41\16 | 3x
M4x38 mm
j13 |
|----------------------|--------------|--------------|-------------|--------------|-----------------------|



4





5

